

■ Cordless Hand-Held Vacuum Cleaner



KH 4423

GB **Cordless Hand-Held Vacuum Cleaner**
IE
CY Operating instructions



Content	Page
Intended Usage	2
Important safety instructions	2
Items supplied	3
Appliance description	3
Technical data	4
Information about the batteries	4
Installation of the wall holder	4
Charging	5
Operation	5
Cleaning	6
Disposal	6
Warranty and Service	7
Importer	7

Read these operating instructions carefully before using the appliance for the first time and preserve this manual for later reference. Pass this manual on to whoever might acquire the appliance at a future date.

Cordless Hand-Held Vacuum Cleaner

KH4423

Intended Usage

This cordless hand-held vacuum cleaner may only be used to vacuum dry or wet surfaces resp. dry or wet materials and fluids. People or animals may not be vacuumed with this appliance. Any other usage of, or modification to, the appliance is deemed to be improper usage and carries the risk of serious personal injury. The manufacturer accepts no liability for damages that result from improper use of the appliance or are caused by the incorrect operation of it. The appliance is not intended for commercial use.

Important safety instructions

⚠ To avoid potentially fatal electric shocks:

- Do not charge or use the appliance outdoors.
- Never use the hand vacuum cleaner if the cable, plug or casing are damaged.
- To avoid risks, arrange for damaged power cables and/or plugs to be replaced as soon as possible by a qualified specialist or by our Customer Services.
- Arrange for repairs to be carried out only by specialist workshops. Under no circumstances should you open the appliance yourself. Interferences that are not carried out by a specialist workshop could lead to physical injuries.
- Before switching the hand vacuum cleaner on, ensure that the mains voltage corresponds to the voltage indicated in the technical data for the appliance.

- Never touch the power supply or the appliance with wet or damp hands.
- Do not use the power adapter with an extension cable; connect the power adapter directly to a power socket.

⚠ To avoid the risk of injury:

- Do not change any accessories while the appliance is switched on.
- Do not use the hand vacuum for vacuuming up sharp objects or glass shards.
- Never vacuum up burning matches, glowing ashes or cigarette butts.
- Do not use the hand vacuum for vacuuming up chemical products, stone dust, gypsum, cement or similar particles.
- This appliance is not suitable for use with inflammable and explosive substances or chemical and aggressive liquids.
- Always store the appliance indoors. To prevent accidents, keep the appliance in a dry location when not in use.
- Under extreme conditions, leaks in the battery cells may occur. In the event that battery fluid comes into contact with skin or eyes, the affected area must be rinsed off with water immediately. Contact a physician.

Tips for safety:

- This appliance is not intended for use by individuals (including children) with restricted physical, physiological or intellectual abilities or deficiencies in experience and/or knowledge unless they are supervised by a person responsible for their safety or receive from this person instruction in how the appliance is to be used. Children should be supervised to ensure that they do not play with the appliance.

- Use only accessory parts recommended by the manufacturer.
- The power adapter may not be used for other purposes. Never carry the wall holder or the power adapter by the cable. Do not pull on the cable when you want to move the appliance.
- Always grip the power plug to disconnect the appliance from the power supply.
- Always be sure to keep the hand vacuum away from heating elements, ovens or other heated appliances and surfaces.
- Always make certain that the ventilation slits are open. A blocked ventilation circuit can result in overheating and damage to the appliance.
- This product contains rechargeable NiMH batteries. Do not throw the batteries into a fire and do not subject them to high temperatures. There is the risk of an explosion!
- Take special care when using the hand vacuum on stairs.
- Do not use the hand vacuum without the dust filter inserted.
- Do not use the power adapter for a different product and do not attempt to charge this appliance with a different charging station. Use only the charging station supplied with this appliance.

Items supplied

Cordless Hand-Held Vacuum Cleaner
 Crevice tool
 Wet suction nozzle
 Wall holder
 Assembly material
 Power transformer
 Operating instructions

Appliance description

- ❶ Wet suction nozzle
- ❷ Crevice nozzle
- ❸ Wall holder
- ❹ Power adapter
- ❺ Barrel plug
- ❻ On/Off switch
- ❼ Charge indicator lamp
- ❽ Unlocking button
- ❾ Dust filter
- ❿ Dirt container

Note:

This appliance is supplied with non-charged batteries. The batteries must be charged for 24 hours before the first use.

Technical data

Power adapter ④	
Input voltage:	100 - 240 V~ 50/60 Hz 150 mA
Output voltage :	=== 9V 200 mA
Protection class:	II □

appliance

Input voltage:	=== 9V 200 mA
Battery:	7,2 V ⊖ ⊕

Batteries

Capacity:	1300 mAh
Batteries:	6 x 1.2 V Sub-C Ni-MH HR14/HRM 26/50

Information about the batteries

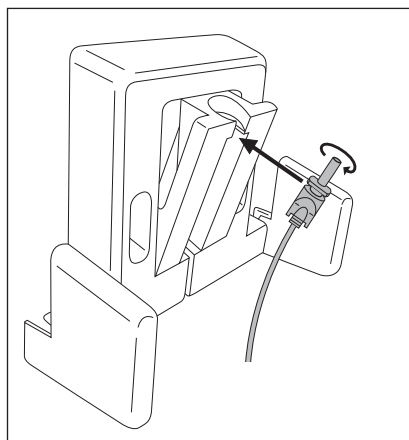
1. This hand vacuum cleaner is operated by rechargeable Ni-MH batteries.
Before using the cableless hand vacuum cleaner for the first time, the batteries must be charged for at least 24 hours.
2. The batteries reach their full capacity after a charging period of 24 hours. For care of the batteries we recommend the following: after the batteries are charged, remove the power adapter ④ from the mains power socket. Reconnect the power adapter ④ again with the mains power socket when the suction power of the appliance is noticeably weaker.

Installation of the wall holder

⚠ **Mortal danger!**

Ensure that there are no power cables or other conduits or pipes in the wall at the location where you intend to bore the holes for the wall holder ③. It would be a potentially fatal risk to bore into a current carrying electric cable!

1. Place the barrel plug ⑤ of the power adapter ④ into the wall holder ③ as shown in the diagramme. Secure the barrel plug ⑤ by turning it.



2. Select a suitable installation location for the wall holder ③: It should present no problem with taking the hand vacuum cleaner out of it and a mains power socket for the power adapter ④ must be accessible.
3. Bore two holes with a spacing of approx. 58mm. Use the wall holder ③ to mark the boreholes: this will ensure the spacing is correct. The boreholes must be suitable for 5 mm wallplugs.
4. Insert the wallplugs into the boreholes and, using the screws, firmly screw the wall holder ③ to the wall.
5. You can place the nozzles on the lateral accessories holder.
6. Connect the power adapter ④ to a mains power socket.

Charging

i Note:

Check to ensure that the on/off switch **6** has been slid back (to the position "0") before starting the charging process.

- Place the hand vacuum cleaner from above into the wall holder **3** so that the barrel plug **5** slips into the socket on the hand vacuum cleaner. The charge indicator lamp **7** glows red and the charging process begins.

⚠ IMPORTANT:

- When the charging process is complete, which may take 12 to 15 hours for completely discharged batteries, the device switches over to a trickle charge (maintenance function) automatically. Nevertheless, in order to avoid possible damage to the batteries, do not leave the appliance permanently connected to the power adapter **4**.
- Reconnect the appliance with the power adapter **4** when the suction power has become noticeably weaker.

i Note:

The hand vacuum cleaner can also be charged directly via the power adapter **4**. For this, remove the barrel plug **5** with a slight twist from the wall holder **3** and insert it into the socket on the hand vacuum cleaner.

Operation

⚠ Warning:

The suction opening must always be open and unblocked. Blockages lead to overheating and damage to the motor.

i Tips:

- Make certain that the dust filter **9** is always inserted before using the appliance.
- Only vacuum up enough fluid/rubbish until the dirt container **10** is filled to the MAX marking.

1. Take the hand vacuum cleaner from the wall holder **3** or, if you do not use the wall holder **3**, remove the barrel plug **5** from the socket.
2. If required, place the appropriate nozzle into the suction opening:
 - the crevice nozzle **2**, to clean narrow and difficult to reach locations.
 - the wet suction nozzle **1** to vacuum liquids up.

i Note:

After you have vacuumed up liquids, immediately clean the dirt container **10**. Otherwise bacteria and microbes could form in it!

3. To switch the appliance on, slide the on/off switch **6** forwards.
4. When you have finished using it, slide the on/off switch **6** to the rear.

- i** Place the hand vacuum in the wall holder **3** and start the charging process when the vacuum power has become noticeably weaker.

Cleaning

To achieve the best results, empty the dirt container **10** and clean the dust filter **9** after every use.

⚠ IMPORTANT:

Do not use aggressive, chemical or abrasive cleaning agents. These could damage the surfaces of the appliance.

1. To open the dirt container **10**, press the unlocking button **8** and remove the dirt container **10**.
2. Remove the dust filter **9** from the dirt container **10**.
3. Empty the dirt container **10**.
4. Rinse the dust filter **9** in cold water and wait until it is completely dry before placing it back in the dirt container **10**. Do not dry it with hot air.
5. Place the dust filter **9** back into the dirt container **10**. Ensure that the dust filter **9** is seated squarely and that the rubber lip seals the dirt container **10**.
6. Replace the dirt container **10** back onto the motor block:
 - Push the plastic nose on the underside of the hand vacuum cleaner into the recess on the dirt container **10**.
 - Press the unlocking button **8** and, at the same time, slide the dirt container **10** onto the motor block.
 - Release the unlocking button **8** so that the restraint grips into the recess. The dirt container **10** now sits firmly on the motor block.
7. Clean the housing and both nozzles with a lightly moistened cloth. For stubborn soiling use a mild detergent on the cloth.
8. Dry all parts thoroughly before reusing the appliance or putting it into storage.

Disposal



Do not dispose of this appliance in your normal domestic waste. This product is subject to the provisions of European Directive 2002/96/EC.

Dispose of the appliance through an approved disposal centre or at your community waste facility. Observe the currently applicable regulations. In a case of doubt, please contact your waste disposal centre.

Disposal of batteries/cells

Used batteries/cells may not be disposed of in household waste. Every consumer is statutorily obliged to dispose of batteries at a collection site of his community/city district or at a retail store.

The purpose of this obligation is to ensure that batteries are disposed of in a non-polluting manner. Only dispose of batteries/cells when they are fully discharged.



Dispose of all packaging materials in an environmentally friendly manner.

Warranty and Service

You receive a 3-year warranty for this appliance as of the purchase date. This appliance has been manufactured with care and meticulously examined before delivery.

Please retain your receipt as proof of purchase. In the case of a warranty claim, please make contact by telephone with our service department. Only in this way can a post-free despatch for your goods be assured.

The warranty applies only to claims for material and manufacturing defects, not for transport damage, wearing parts or for damage to fragile components, e.g. buttons or batteries. This product is for private use only and is not intended for commercial applications.

In the event of misuse and improper handling, use of force and interference not carried out by our authorized service branch, the warranty will become void.. Your statutory rights are not restricted in any way by this warranty.

The warranty period will not be extended because of a repair made under warranty. This applies also to replaced and repaired parts. Damages and defects discovered on purchase must be reported immediately after unpacking, at the latest two days after purchase. Repairs effected after expiry of the warranty period are subject to charge.

Importer

KOMPERNASS GMBH
BURGSTRASSE 21
44867 BOCHUM, GERMANY

www.kompernass.com

GB DES UK LTD

Tel.: 0871 5000 700 (£ 0.10 / minute)

e-mail: support.uk@kompernass.com

IE Kompernass Service Ireland

Tel: 1 850 930 412 (0,082 EUR/Min.)

Standard call rates apply. Mobile operators may vary.

e-mail: support.ie@kompernass.com